

Stub Shaft Adapters

For Clutch Sizes 400 through 1027 Mount Gears, Pulleys, and Similar Attachments



Stub shaft adapters are available to fit clutches from size 400 through 1027. They are secured to the clutch by fastening to the tapped holes at the end face of the outer race. The stub shaft adapters may be used to mount gears, pulleys or similar attachments when the item to be mounted is too small to mount on the O.D. of the clutch, and to mount couplings when the customer desires to use a coupling other than the Formsprag-Formflex clutch coupling assembly.

Hardened bolts are supplied by Formsprag at no additional charge with purchased adapters.

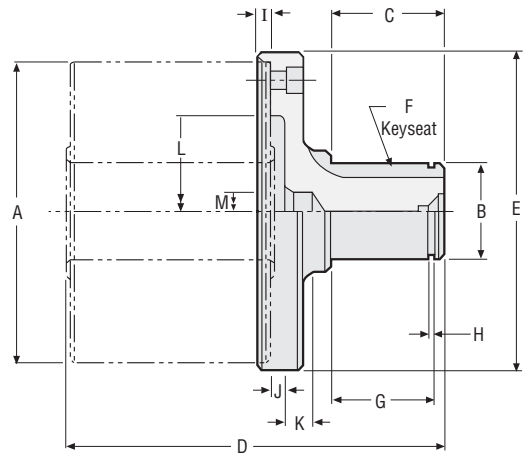
Selection

Size	Adapter No.	Kit No.
400	A-4	AC-30156
500	A-5	AC-30157
600	A-6	AC-30158
700	A-7	AC-30159-4
750	A-7.5	AC-30161-5
800	A-8	AC-30160-6
900	A-9	AC-30162-4
1027	A-10	AC-30163-A

Consult Formsprag for other stub shaft adapter sizes.

Dimensions inches (mm)

Model No.	A	B	C	D
400	3.500/3.501 (88.90/88.85)	.751/1.750 (19.07/19.05)	1.50 (38.10)	5.09 (129.36)
500	4.250/4.251 (107.95/107.90)	1.251/1.250 (31.77/31.75)	1.75 (44.45)	6.19 (157.15)
600	5.375/5.376 (136.52/136.47)	1.751/1.750 (44.47/44.45)	2.00 (50.80)	6.75 (171.45)
700	7.125/7.126 (180.97/180.92)	2.752/2.750 (69.90/69.85)	2.50 (63.50)	8.44 (214.30)
750	8.750/8.751 (222.25/222.20)	3.252/3.250 (82.60/82.55)	3.00 (76.20)	10.50 (266.70)
800	10.000/10.001 (254.00/253.95)	4.252/4.250 (108.00/107.95)	3.75 (95.25)	11.13 (282.57)
900	12.000/12.001 (304.80/304.72)	5.252/5.250 (133.40/133.35)	4.50 (114.30)	12.25 (311.15)
1027	15.000/15.002 (381.00/380.92)	6.252/6.250 (158.80/158.75)	5.50 (139.70)	13.56 (344.42)



Detail drawings sufficient to manufacture stub shaft adapters are available on request for those who would prefer to manufacture their own.

Size	E	F	G	H	I	J	K	L	M	Weight lb. (kg)
400	3.88 (98.42)	.250 x .13 (6.35 x 3.18)	1.347/1.351 (34.21/34.31)	.033/.043 (.84/1.09)	0.250 (6.35)	0.188 (4.76)	0.438 (11.11)	1.875 (47.63)	0.563 (14.29)	1.6 (.73)
500	4.63 (117.47)	.312 x .16 (7.92 x 3.96)	1.579/1.584 (40.11/40.23)	.045/.055 (1.14/1.40)	0.250 (6.35)	0.250 (6.35)	0.500 (12.70)	2.625 (66.68)	0.625 (15.88)	3.2 (1.45)
600	5.75 (146.05)	.375 x .19 (9.52 x 4.75)	1.835/1.840 (46.61/46.99)	.055/.065 (1.40/1.65)	0.250 (6.35)	0.250 (6.35)	0.500 (12.70)	3.500 (88.90)	0.625 (15.88)	5.8 (2.63)
700	7.63 (193.67)	.625 x .31 (15.87 x 7.92)	2.335/2.340 (59.31/59.44)	.103/.113 (2.62/2.87)	0.250 (6.35)	0.250 (6.35)	0.500 (12.70)	5.000 (127.00)	0.625 (15.88)	12.6 (5.72)
750	9.50 (241.30)	.750 x .38 (19.05 x 9.52)	2.804/2.809 (71.22/71.35)	.103/.113 (2.62/2.87)	0.375 (9.53)	0.250 (6.35)	0.625 (15.88)	5.500 (139.70)	1.000 (25.40)	23.8 (10.79)
800	10.75 (273.05)	1.000 x .50 (25.40 x 12.70)	3.566/3.571 (90.57/90.70)	.120/.130 (3.05/3.30)	0.320 (8.13)	0.375 (9.53)	0.750 (19.05)	7.500 (190.50)	1.500 (38.10)	40.5 (18.37)
900	12.75 (323.85)	1.250 x .63 (31.75 x 15.87)	4.316/4.321 (109.63/109.75)	.139/.149 (3.53/3.78)	0.375 (9.53)	0.313 (7.94)	0.870 (22.10)	7.750 (196.85)	1.250 (31.75)	62.8 (28.49)
1027	15.75 (400.05)	1.250 x .63 (31.75 x 15.87)	5.140/5.145 (130.56/130.68)	.094/.104 (2.34/2.64)	0.375 (9.53)	0.310 (7.87)	0.875 (22.23)	10.000 (254.00)	1.250 (31.75)	103.4 (46.90)